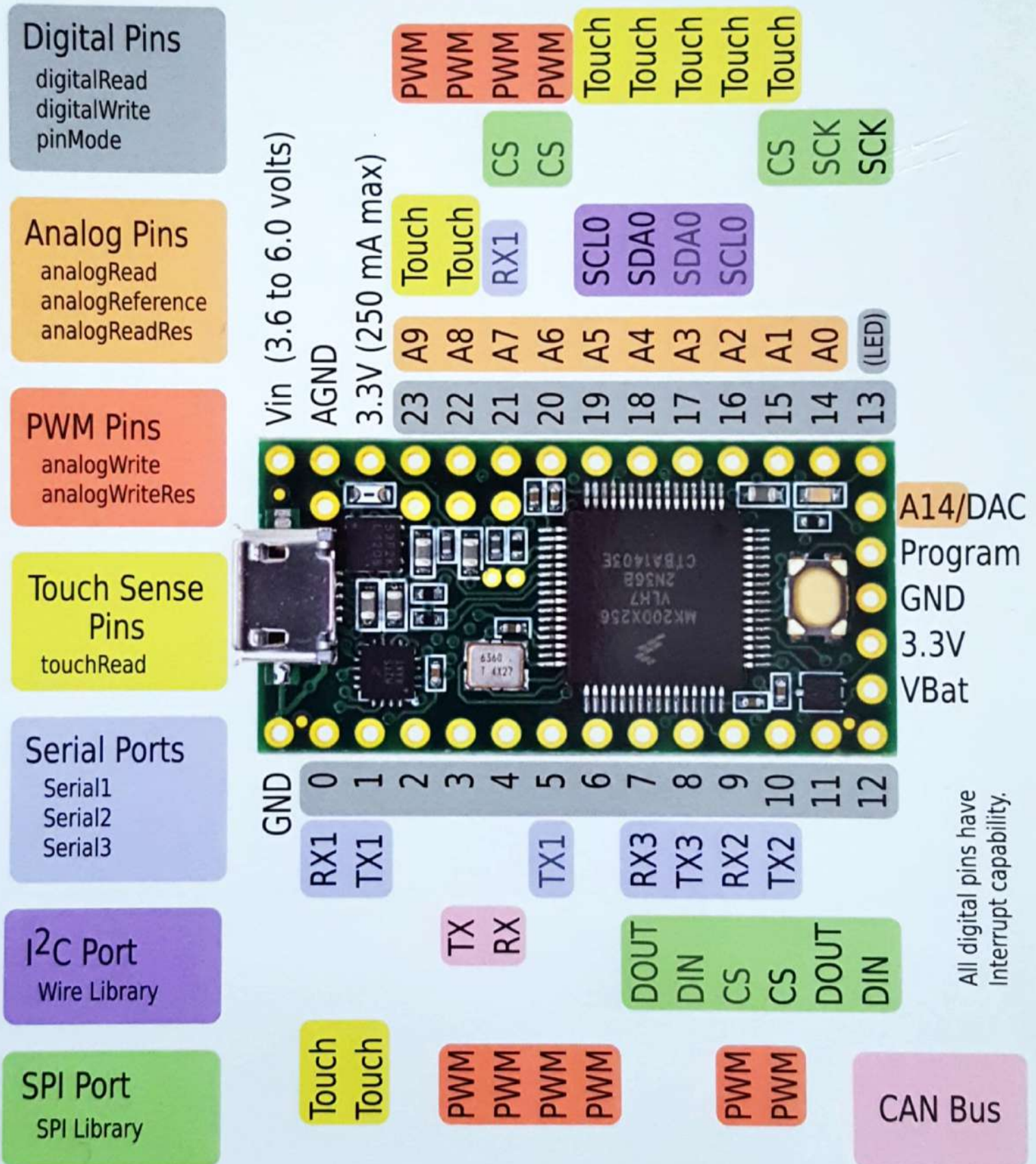


# Welcome to Teensy 3.2

32 Bit Arduino-Compatible Microcontroller

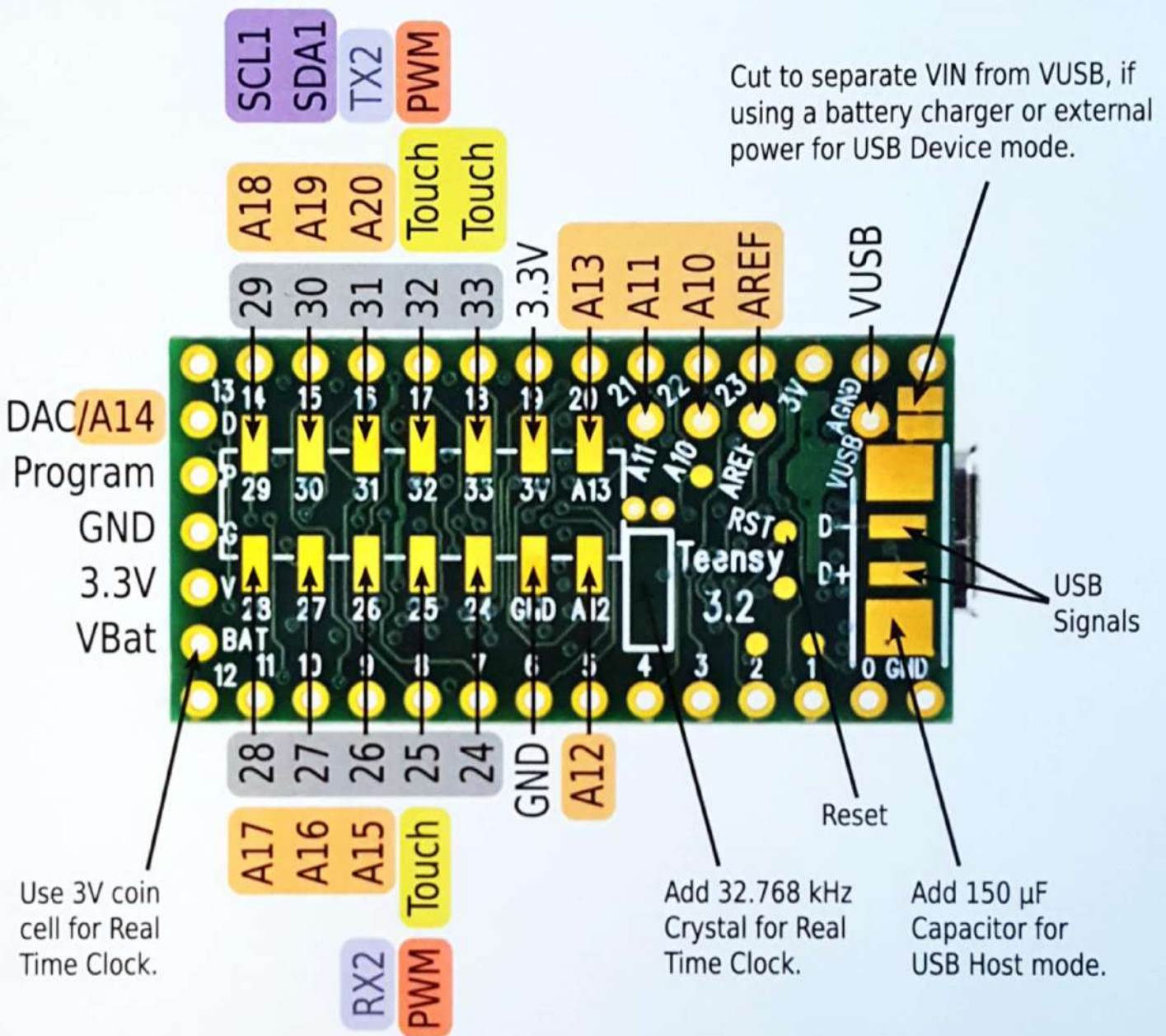
To begin using Teensy, please visit the website & click [Getting Started](#).

[www.pjrc.com/teensy](http://www.pjrc.com/teensy)



# Teensy 3.2 Back Side

Additional pins and features available on the back side



For solutions to the most common issues and technical support, please visit:

[www.pjrc.com/help](http://www.pjrc.com/help)

Teensy 3.2 System Requirements:  
PC computer with Windows 7, 8, 10 or later  
or Ubuntu Linux 12.04 or later  
or Macintosh OS-X 10.7 or later  
USB Micro-B Cable

